

REVISION RECORD				
REV	ECO	DESCRIPTION	DRFT	CHKD

NOTES:

MATERIAL :

- | | |
|---------------------|--|
| 1. HOUSING MATERIAL | : GLASS FILLED POLYESTER UL94V-0. |
| 2. CONTACT MATERIAL | : PHOSPHOR BRONZE $\phi 0.46\text{mm}$. |
| 3. PLATING | : GOLD PLATING OVER NICKEL. |
| 4. SHIELD | : $\geq 0.1\text{mm}$ THICKNESS COPPER ALLOY WITH NICKEL PLATED. |
| 5. LED | : OPTION |

ELECTRICAL:

- | | |
|---------------------------------------|-------------------------------|
| 1. VOLTAGE RATING | : 125 VAC RMS. |
| 2. CURRENT RATING | : 1.5 AMP. |
| 3. CONTACT RESISTANCE | : 30 MILLIOHMS MAX. |
| 4. INSULATION RESISTANCE | : 500 MEGOHMS MIN @ 500V DC . |
| 5. DIELECTRIC WITHSTANDING RESISTANCE | : 1000V AC RMS 50Hz. 1MIN. |

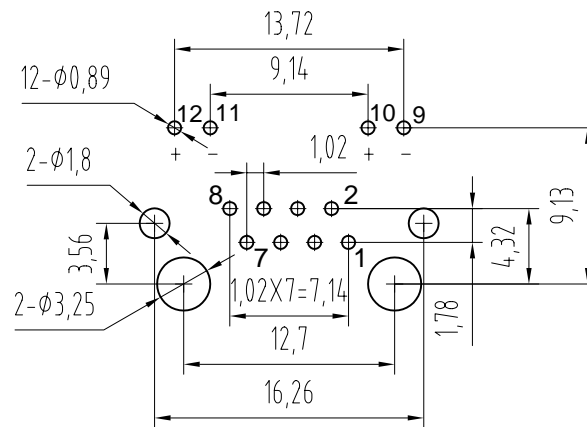
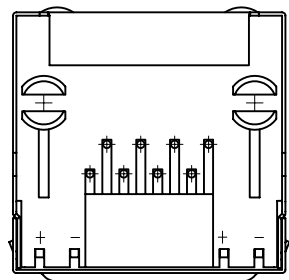
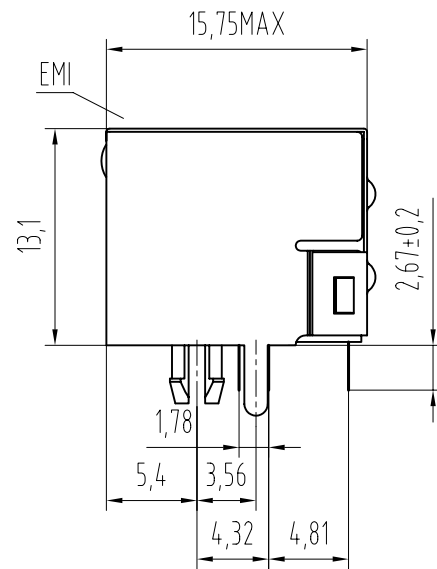
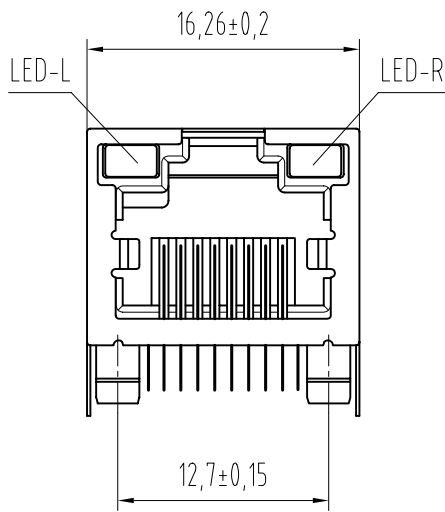
MECHANICAL:

- | | |
|-----------------------------|-------------------|
| 1. DURRABILITY | : 750 CYCLES MIN. |
| 2. PCB RETENTION PRE-SOLDER | : 1 LB MIN. |

ENVIRONMENTAL:

- | | |
|--------------|--|
| 1. STORAGE | : $-40^{\circ}\text{C} \sim +85^{\circ}\text{C}$ |
| 2. OPERATION | : 0°C TO 70°C . |

PART NUMBER:



PC Board Layout
Component Side Shown

DETACHED LISTS THIRD ANGLE PROJECTION	DFTO SHB (INCH)	DATE 2007.05.05	Coorle 库乐科技		
	TOLERANCES EXCEPT AS NOTED	CHKO LANBO DATE 2007.05.05			
	MM .5 ± 0.15 .00 ± 0.075 .000 ± 0.05	MFO DATE	APPVL DATE	TITLE 56LED 8P8CS	
	ANGLES ± 0.5	MATERIAL :	QTY :		
FINISH :	SCALE :	DRAWING NO. TE5JA1002 /PART NO.	SIZE A3	REV 0	
DO NOT SCALE DRAWING			SHEET X	OF Y	